

Single-Ended Beam



DESCRIPTION

SEB is a single-ended shear beam load cell designed for multiple cell applications such as low profile platform or small tank scales when used with proper mounting accessories. It is insensitive to side loading and capable of reversed loading.

SEB is constructed of alloy steel and fully potted with special chemical compounds to IP67 to protect the cell from water and moisture damage.

FEATURES

- Capacities: 500kg, 1t, 1.5t, 2t, and 2.5t
- High side-load tolerance
- Electroless nickel-plated-alloy tool steel
- OIML C3 approval from 500kg to 2.5t

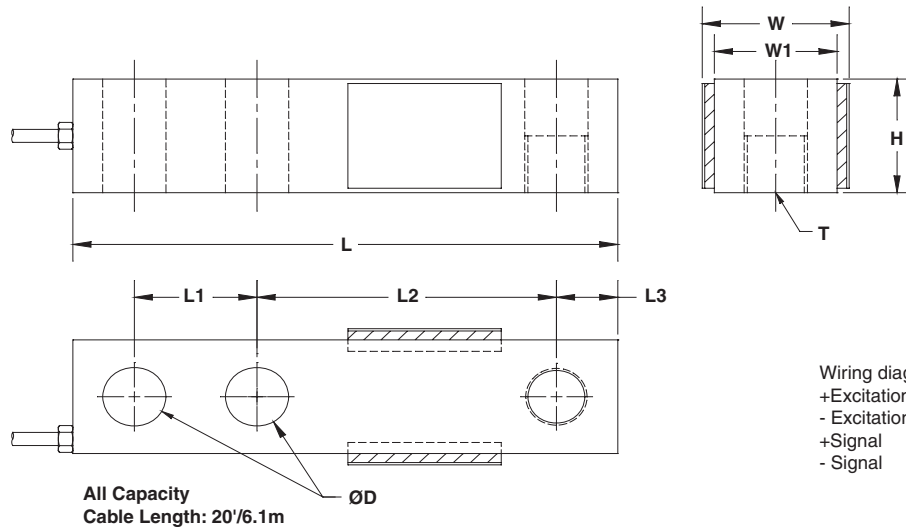
OPTIONAL FEATURE

- FM approval available

APPLICATIONS

- Truck/rail scales
- Silo/hopper/tank weighing
- Platform scales (multiple load cells)
- Pallet truck scales
- Packaging machines

OUTLINE DIMENSIONS



CAPACITY		L	L1	L2	L3	W	W1	H	D	T
500kg/1t/1.5t/2t	mm	130.0	25.4	76.2	12.7	38.1	31.2	31.2	13.5	M12 x 1.75
	(inch)	5.12	1.00	3.00	0.50	1.50	1.25	1.25	0.53	
2.5t	mm	171.5	38.1	95.3	19.0	44.2	38.1	38.1	19.8	M20 x 1.5
	(inch)	6.75	1.50	3.75	0.75	1.74	1.50	1.50	0.78	

SPECIFICATIONS		
PARAMETER	VALUE	UNIT
NTEP/OIML Accuracy class	C3	
Maximum no. of intervals (n)	3000	
$Y = E_{\max}/V_{\min}$	10000	Maximum available
Standard capacities (E_{\max})	500, 1000, 1500, 2000, 2500	kg
Rated output-R.O.	3.0	mV/V
Rated output tolerance	0.25	±% of rated output
Zero balance	1	±% of rated output
Non linearity	0.025	±% of rated output
Hysteresis	0.025	±% of rated output
Non-repeatability	0.020	±% of rated output
Creep error (20 minutes)	0.030	±% of rated output
Zero return (20 minutes)	0.030	±% of rated output
Temperature effect on min. dead load output	0.0014	±% of rated output/°C
Temperature effect on sensitivity	0.0008	±% of applied load/°C
Compensated temperature range	-10 to +40	°C
Operating temperature range	-20 to +60	°C
Safe overload	150	% of R.C.
Ultimate overload	300	% of R.C.
Excitation, recommended	10	Vdc or Vac rms
Excitation, maximum	15	Vdc or Vac rms
Input impedance	385±5	Ohms
Output impedance	350±3	Ohms
Insulation resistance	>5000	Mega-Ohms
Construction	Nickel plated alloy steel	
Environmental protection	IP67	

All Specifications subject to change without notice.

FM Approval

Intrinsically Safe: Class I, II, III; Div. 1 Groups A-G

Non-Incendive: Class I; Div. 2 Groups A-D

Disclaimer

All product specifications and data are subject to change without notice.

Vishay Precision Group, Inc., its affiliates, agents, and employees, and all persons acting on its or their behalf (collectively, "Vishay Precision Group"), disclaim any and all liability for any errors, inaccuracies or incompleteness contained herein or in any other disclosure relating to any product.

Vishay Precision Group disclaims any and all liability arising out of the use or application of any product described herein or of any information provided herein to the maximum extent permitted by law. The product specifications do not expand or otherwise modify Vishay Precision Group's terms and conditions of purchase, including but not limited to the warranty expressed therein, which apply to these products.

No license, express or implied, by estoppel or otherwise, to any intellectual property rights is granted by this document or by any conduct of Vishay Precision Group.

The products shown herein are not designed for use in medical, life-saving, or life-sustaining applications unless otherwise expressly indicated. Customers using or selling Vishay Precision Group products not expressly indicated for use in such applications do so entirely at their own risk and agree to fully indemnify Vishay Precision Group for any damages arising or resulting from such use or sale. Please contact authorized Vishay Precision Group personnel to obtain written terms and conditions regarding products designed for such applications.

Product names and markings noted herein may be trademarks of their respective owners.